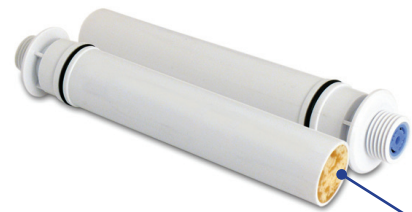




The T-Safe® kitchen spray provides immediate bacterial free water avoiding the user to be exposed to potentially legionella contaminated aerosols. The kitchen spray is used as a normal kitchen spray without filter, but with a dummy installed, when additional safety is not needed.

Features:

- 0,2 µm sterile-graded hollow fibre membrane filter
- High capacity filter, which offers long lifetime without loss of efficiency
- Intelligent spray nozzles ensures an efficient and powerful spray



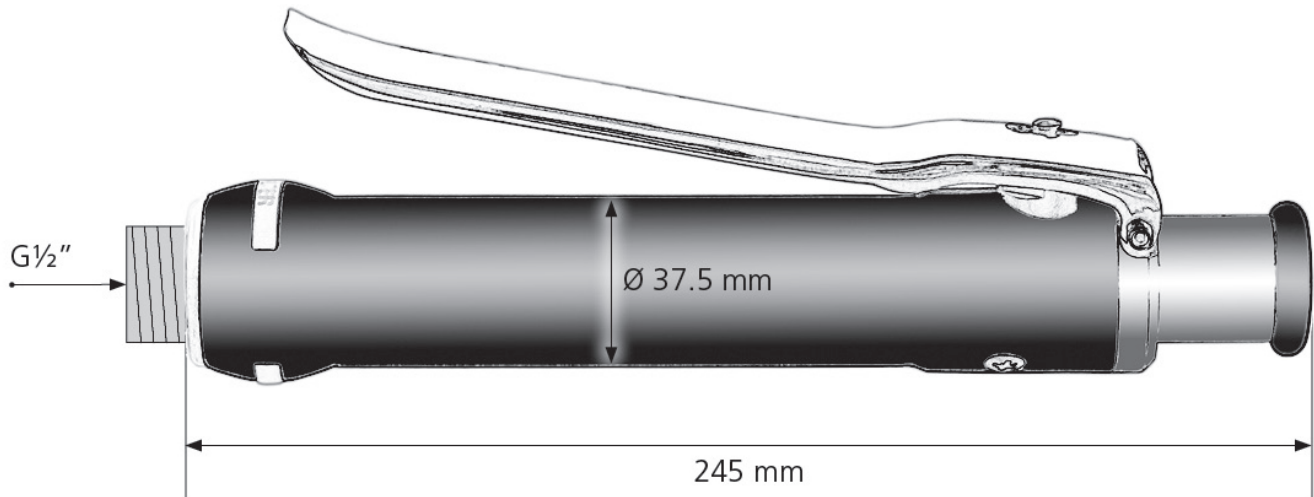
Membrane at 3320 cm²



Technical Data:

Max. Operating pressure:	6 bar
Max. Operating temperature:	60°C
Flow rates with 8L restrictor:	4.4 L/min at 1 bar 5.8 L/min at 2 bar 6.8 L/min at 3 bar 7.5 L/min at 4 bar 8.0 L/min at 5 bar
Norminal use capacity:	>5.000 litre*
Membrane area:	3320 cm ²
Bacteria retention:	>Log ⁷
Connection:	1/2"
Material:	Glas reinforced nylon and stainless steel
Weight:	665 g
Colour:	Black and chrome

**) The filter ensures bacteria-free water for up to 92 days - or until there is a blockage, whichever occurs first. If SDI>2 the capacity is reduced.*



Product variants	Kitchen spray with filter	Kitchen spray without filter (dummy)
Lifetime of filter*	Up to 92 days	N/A
Item No. – complete product	02-803200	02-803205
Item No. – Filter alone	02-000153	
Item No. – Dummy alone	02-000089	

**) The filter ensures bacteria-free water for up to 92 days - or until there is a blockage, whichever occurs first. If SDI>2 the capacity is reduced.*

The T-Safe® filter has been tested in accordance to ASTM F838-05 with the following microorganisms:

- Brevundimonas diminuta
- Pseudomonas aeruginosa
- Legionella pneumophila
- Aspergillus brasiliensis

References:

- Miscellaneous external and internal tests.

ISO 9000 - ISO 14001