



The T-Safe® Filter shower with Easy Clean is a flexible shower solution, which easily can be mounted on standard ½" hoses without use of tools. It retains the water free from bacteria such as Legionella spp., Pseudomonas spp., fungi and E.Coli.

Features:

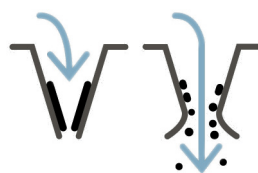
- 0,2 µm sterile-graded hollow fiber membrane filter.
- High capacity filter, which offers long life time without loss of comfort.
- Built-in non-return valve and water restrictor.
- Smooth surfaces makes daily cleaning easy.

Choose between the following product variants:

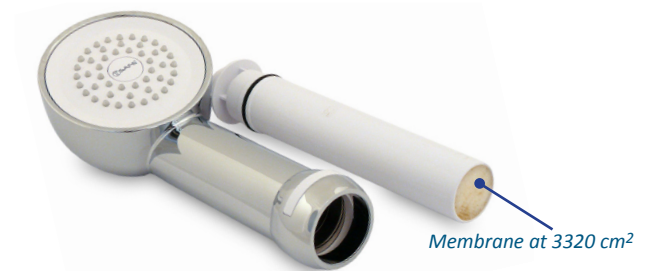
- Chrome shower with Easy Clean nozzles
- White shower with Easy Clean nozzles

Easy Clean:

The Easy Clean rubber nozzles expands depending on the water pressure. In this way limestone will flush out. More stubborn limestone can be removed by rubbing the nozzles.

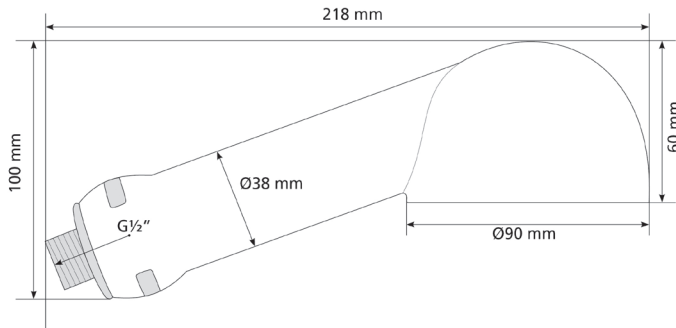


The princip of Easy Clean



Technical Data:	
Max. Operating pressure:	6 bar
Max. Operating temperature:	50 °C
Flow rates with 8L restrictor:	2.6 L/min at 1 bar 6.4 L/min at 2 bar 8.2 L/min at 3 bar 8.3 L/min at 5 bar
Normal use capacity:	>5.000 litre*
Membrane area:	3320 cm²
Bacteria retention:	>Log ⁷
Connection:	Standard 1/2"
Material:	ABS and Polysulfone
Weight (shower incl. filter):	189 g
Colour:	White or chrome

**) The filter ensures bacteria-free water for up to 92 days - or until there is a blockage, whichever occurs first. If SDI>2 the capacity is reduced.*



Product variants	T-Safe® Filter shower EC Chrome	T-Safe® Filter shower EC White
Lifetime of filter*	Up to 92 days	Up to 92 days
Item No. – complete products	02-803102	02-803103
Item No. – Filter only	02-000077	02-000077

**) The filter ensures bacteria-free water for up to 92 days - or until there is a blockage, whichever occurs first. If SDI>2 the capacity is reduced.*

The T-Safe® filter has been tested in accordance to ASTM F838-05 with the following microorganisms:

- Brevundimonas diminuta
- Pseudomonas aeruginosa
- Legionella pneumophila
- Aspergillus brasiliensis

References:

- T-Safe® validation package – TWS-VP-0001
- Miscellaneous external and internal tests

The information provided in this document was reviewed for accuracy at the time of publication. Product data may be subject to change without notice. For current product data and product availability in specific geographical areas please contact your local T-Safe® distributor or Tandrup Water Solutions (HQ).

We only recommend to use the T-Safe® shower with Easy Clean in non-medical environments

ISO 9000 - ISO 14001 - ISO 13485

CE Medical Class IIa



BioPharma
Product Testing



STATENS
SERUM
INSTITUT



WRAS
WATER REGULATIONS ADVISORY SCHEME

kiwa



Partner for progress

Produced by Tandrup Water Solutions A/S